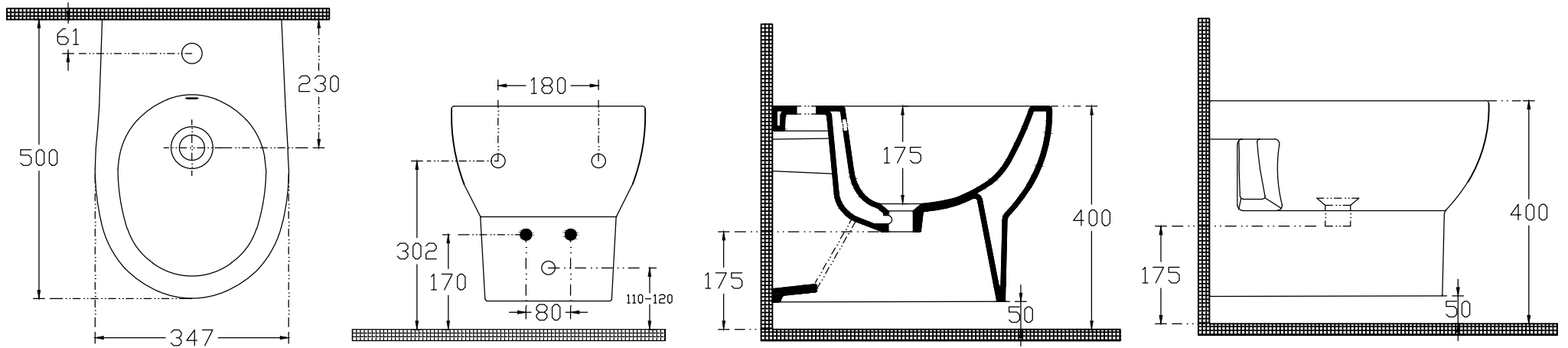




# ISVEA

1962 ITALIA

TECHNICAL DRAWING / TEKNİK ÇİZİM



CODE / KOD : 10AB41001SV

DESCRIPTION / AÇIKLAMA : ABSOLUTE WALL HUNG BIDET / ABSOLUTE ASMA BİDE

TOLERANCE / TOLERANS : 100 mm ± 1 %