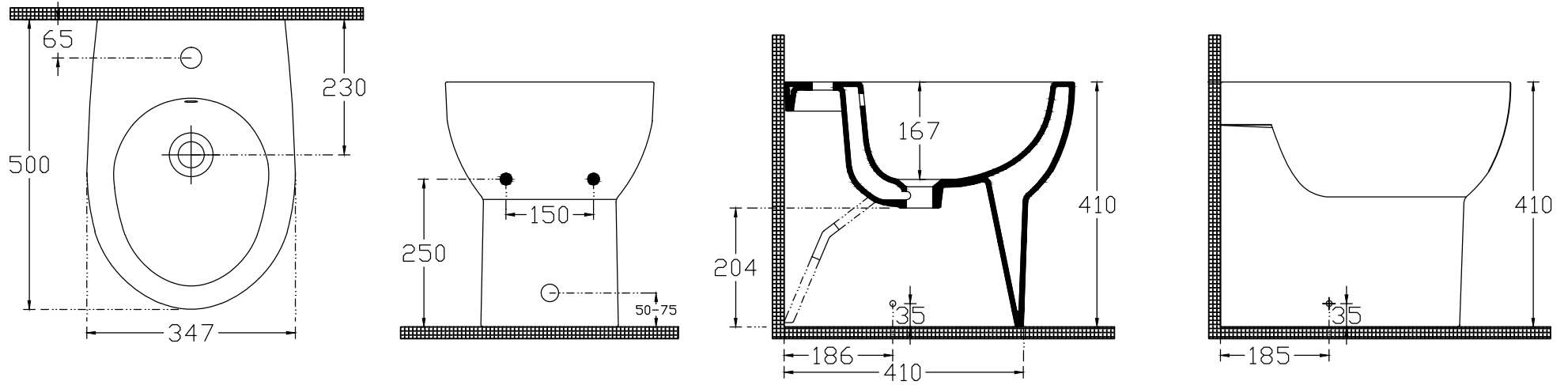




ISVEA

1962 ITALIA

TECHNICAL DRAWING / TEKNİK ÇİZİM



CODE / KOD : 10AB42001SV

DESCRIPTION / AÇIKLAMA : ABSOLUTE BACK TO WALL SINGLE BIDET / ABSOLUTE DUVARA SIFIR TEK BİDE

TOLERANCE / TOLERANS : 100 mm \pm 1 %