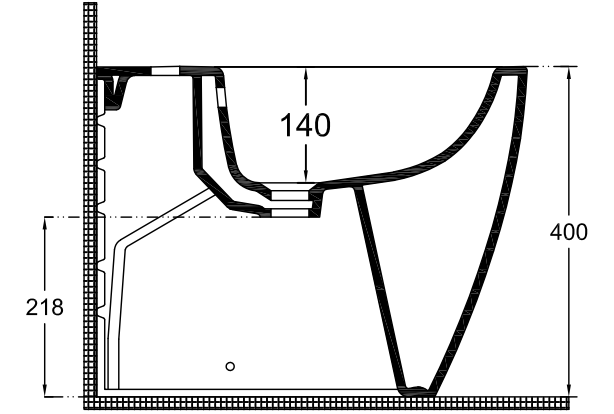
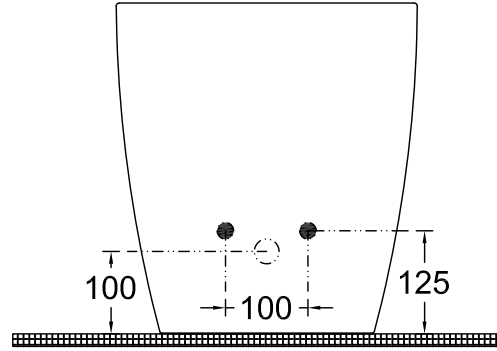
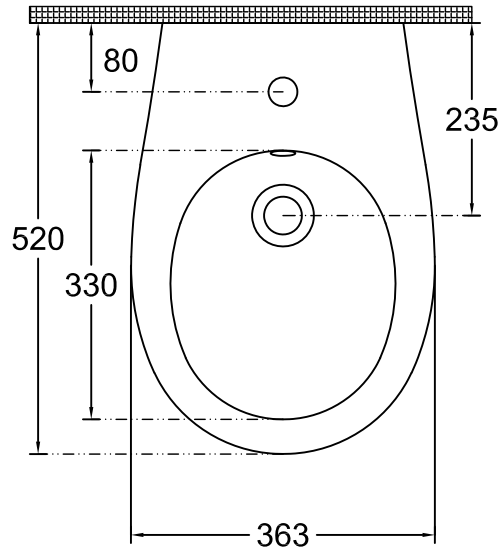




ISVEA

1962 ITALIA

TECHNICAL DRAWING /
TEKNİK ÇİZİM



CODE / KOD : 10SM42004

DESCRIPTION / AÇIKLAMA : SENTIMENTI BACK TO WALL BIDET /
SENTIMENTI DUVARA SIFIR BIDE

TOLERANCE / TOLERANS : 100 mm \pm 1 %