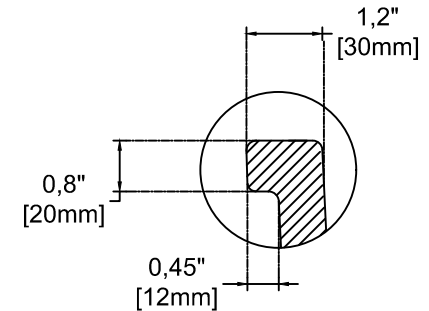
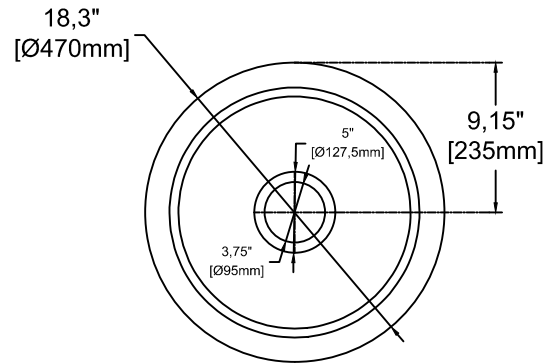
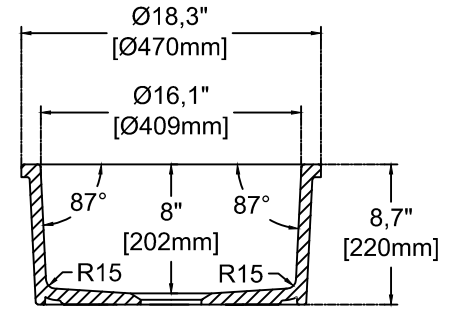
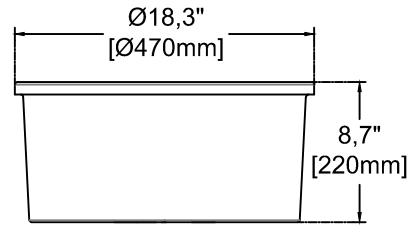
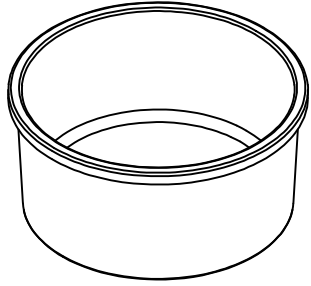




# ISVEA

1962 ITALIA

TECHNICAL DRAWING / TEKNİK ÇİZİM



CODE / KOD : 10PC80047

SIZE : Ø18,3 inç

Ø470 mm

DESCRIPTION / AÇIKLAMA : Pescara Undermount/set-in 18"

TOLERANCE / TOLERANS : 100 mm ± 1 %