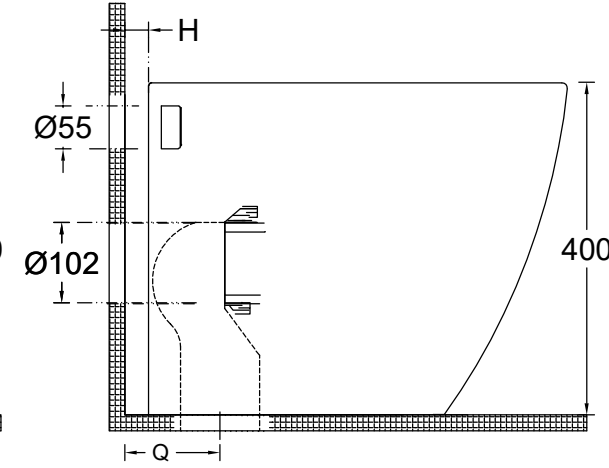
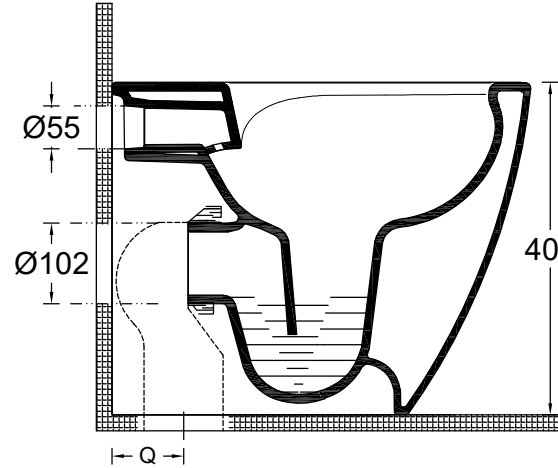
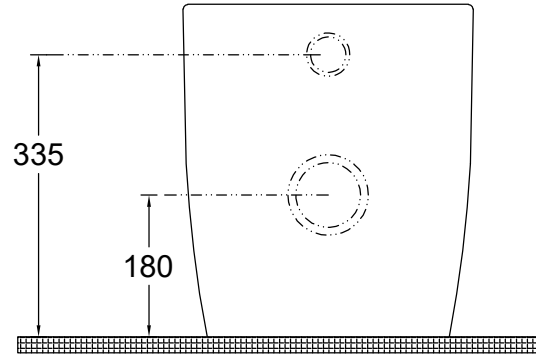
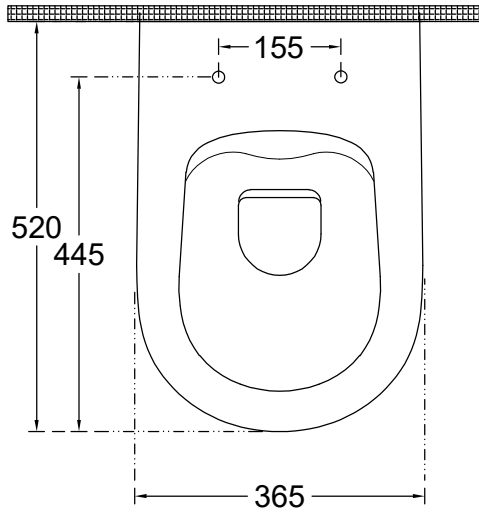




# ISVEA

1962 ITALIA

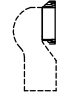

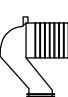
TECHNICAL DRAWING /  
TEKNIK ÇİZİM



CODE / KOD : 10NF10001

DESCRIPTION / AÇIKLAMA : INFINITY BACK TO WALL CLOSET / INFINITY DUVARA SIFIR KLOZET

TOLERANCE / TOLERANS : 100 mm ± 1 %

CURVA	CODICE	H	Q
		0	120
	SFIR	0	90
		0	140 - 170