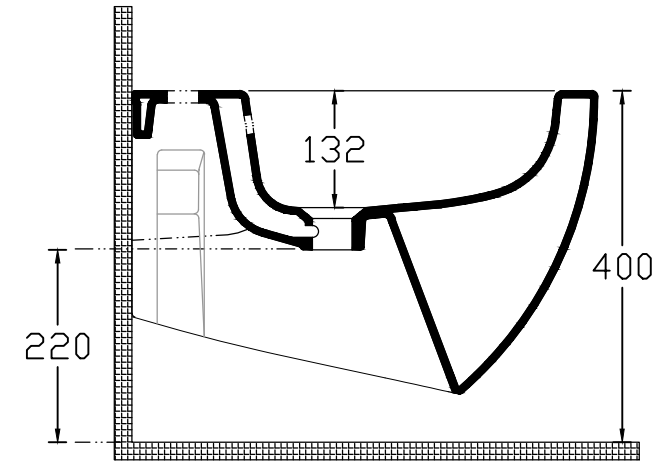
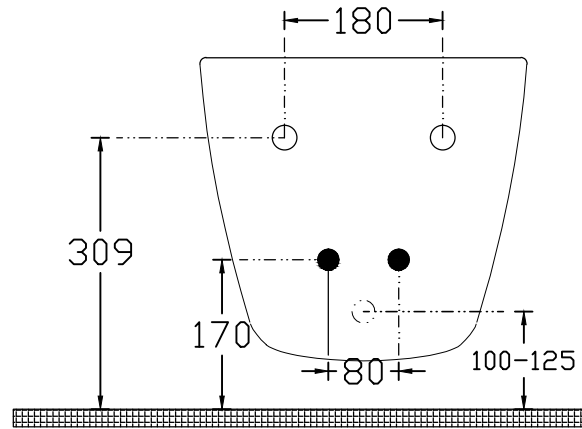
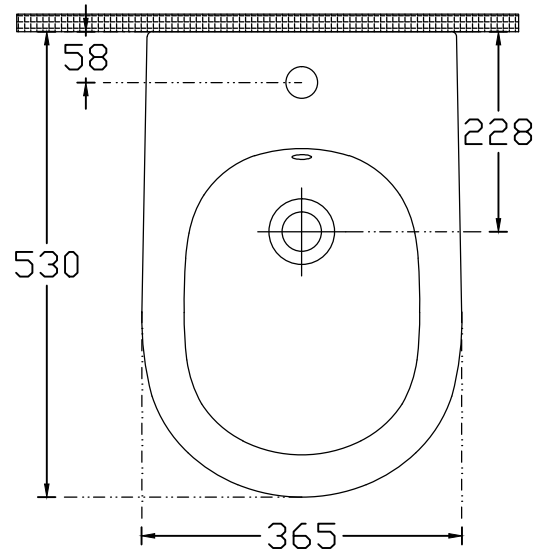




ISVEA

1962 ITALIA

TECHNICAL DRAWING / TEKNİK ÇİZİM



CODE / KOD : 10NF41001

DESCRIPTION / AÇIKLAMA : INFINITY WALL HUNG BIDET / INFINITY ASMA BİDE

TOLERANCE / TOLERANS : 100 mm ± 1 %