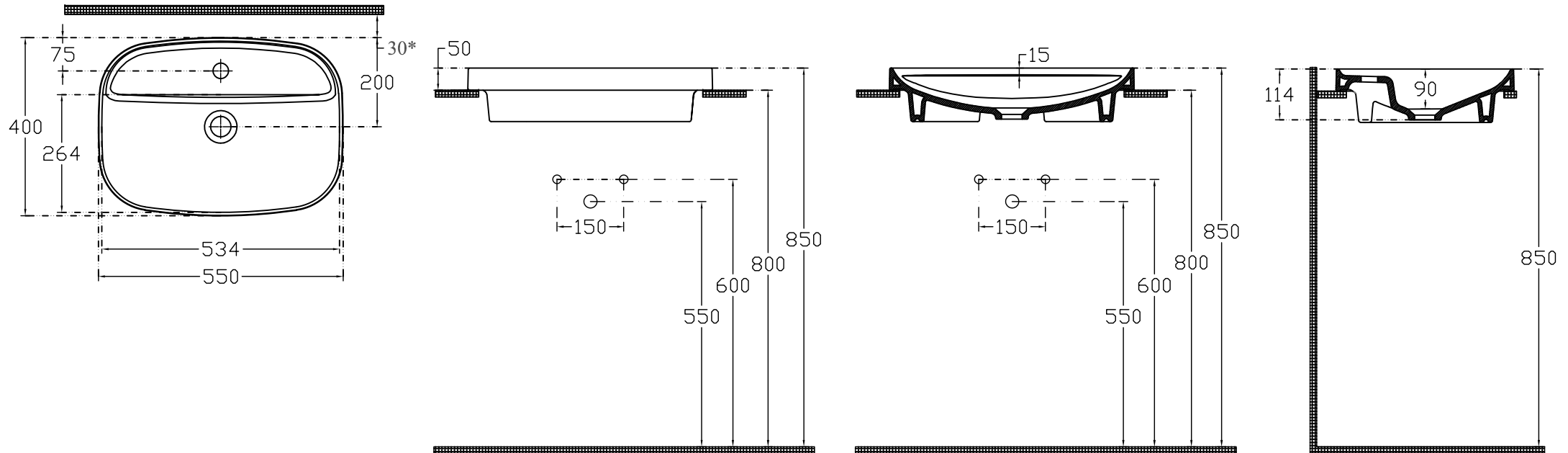




ISVEA

1962 ITALIA

TECHNICAL DRAWING /
TEKNİK ÇİZİM



CODE / CODICE : 10NF50055

DESCRIPTION / AÇIKLAMA : INFINITY INSET BASIN 55 CM / INFINITY
INSET LAVABO 55 CM

TOLERANCE / TOLERANS : 100 mm \pm 1 %