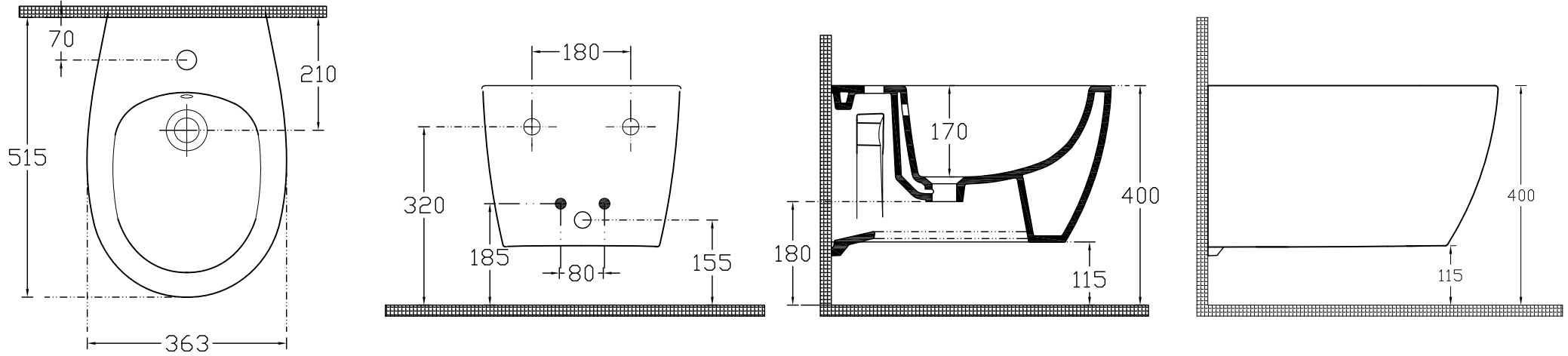




# ISVEA

1962 ITALIA

TECHNICAL DRAWING /  
TEKNİK ÇİZİM



CODE / CODICE : 10AR41010

DESCRIPTION / AÇIKLAMA : SENTIMENTI NEO WALL HUNG BIDET /

SENTIMENTI NEO ASMA BİDE

TOLERANCE / TOLERANS : 100 mm  $\pm$  1 %