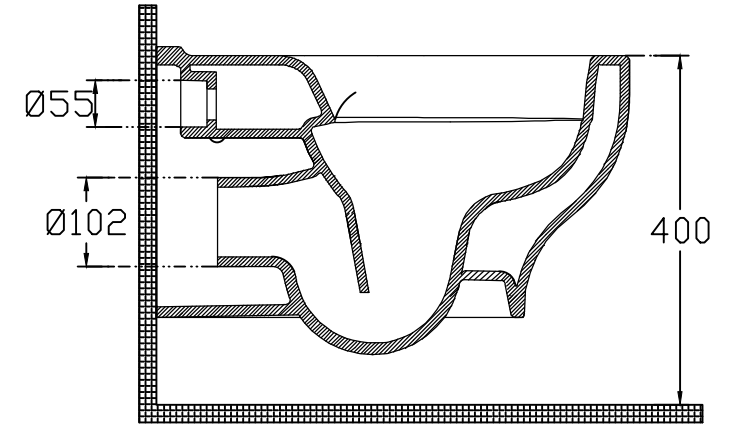
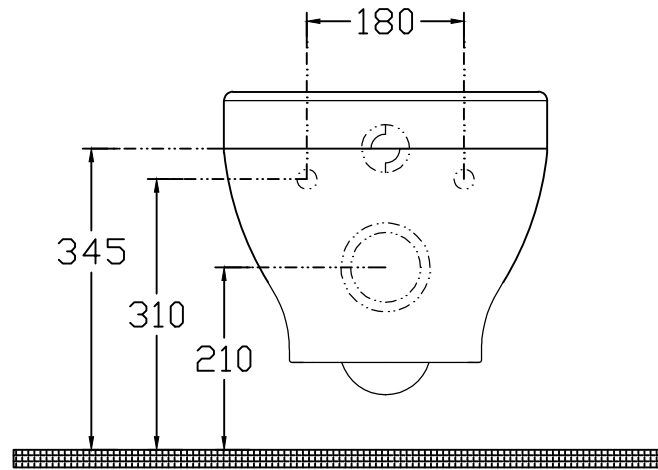
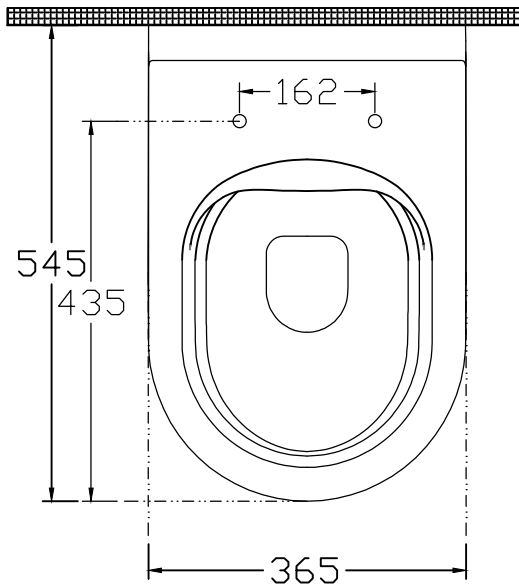




ISVEA

1962 ITALIA

TECHNICAL DRAWING / TEKNİK ÇİZİM



CODE / KOD : 10KF02003

DESCRIPTION / AÇIKLAMA : CAVALLY RIMLESS WALL HUNG NEW FIXING SYSTEM 3D / CAVALLY RIMLESS ASMA KLOZET NEW FIXING SYSTEM 3D

TOLERANCE / TOLERANS : 100 mm ± 1 %