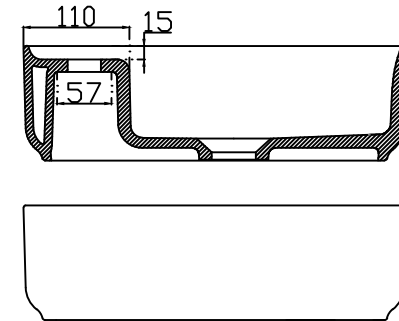
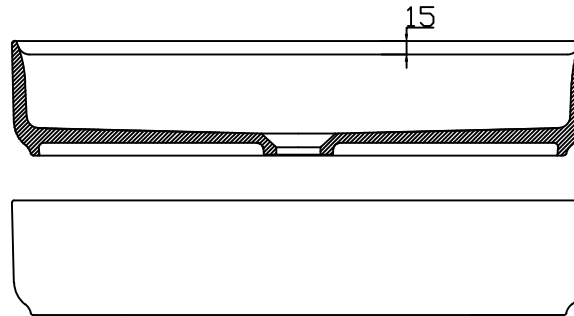
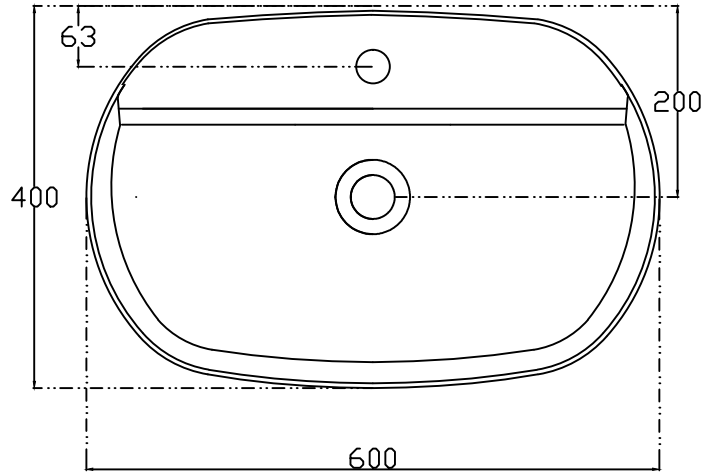




ISVEA

1962 ITALIA

TECHNICAL DRAWING / TEKNİK ÇİZİM



CODE / KOD : 10NF65060

,DESCRIPTION / AÇIKLAMA : INFINITY WASHBASIN Ø60x40 cm / INFINITY LAVABO Ø60x40 cm

TOLERANCE / TOLERANS : 100 mm ± 1 %

