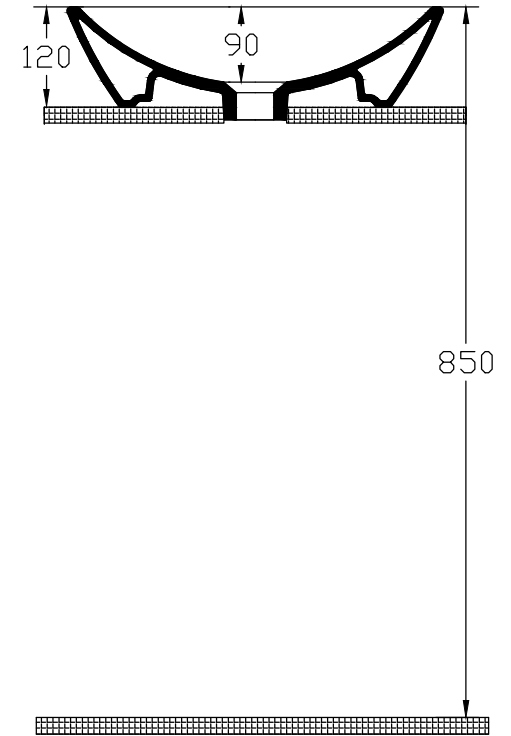
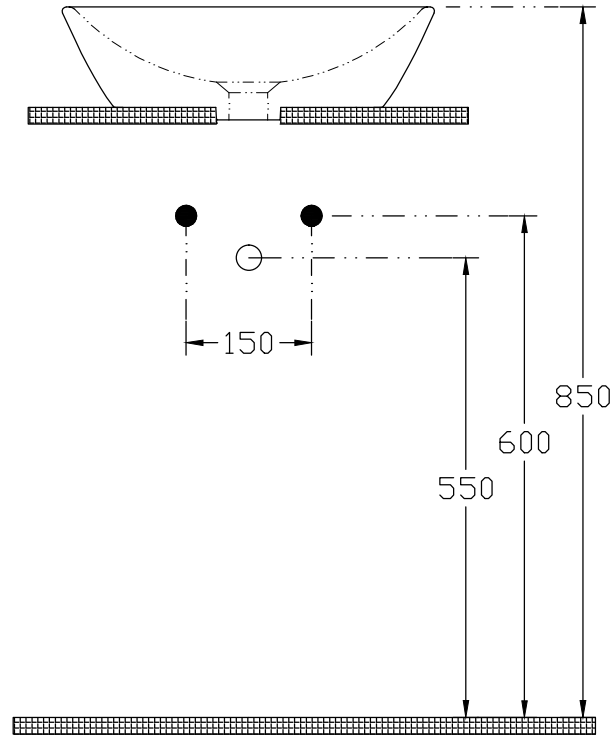
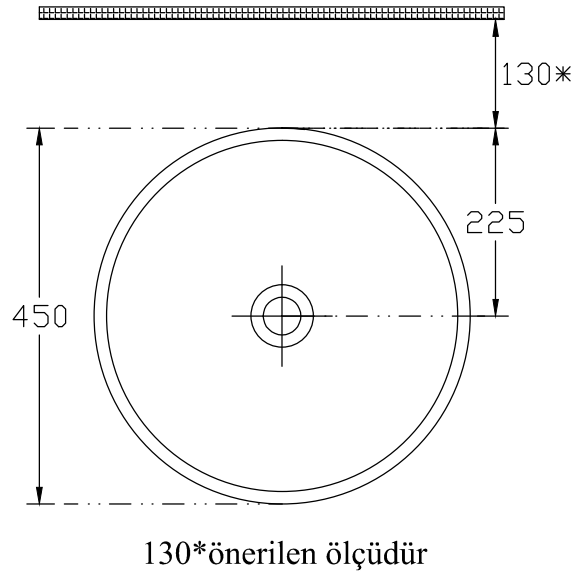




# ISVEA

1962 ITALIA

TECHNICAL DRAWING / TEKNİK ÇİZİM



CODE / KOD : 10SY66045SV

DESCRIPTION / AÇIKLAMA : SISTEMA Y VESSEL BASIN Ø 45 cm (W/OUT TOPHOLE AND OVERFLOW) / SISTEMA Y ÇANAK LAVABO Ø 45 cm ( BATARYA VE TAŞMA DELİKSİZ)

TOLERANCE / TOLERANS : 100 mm ± 1 %