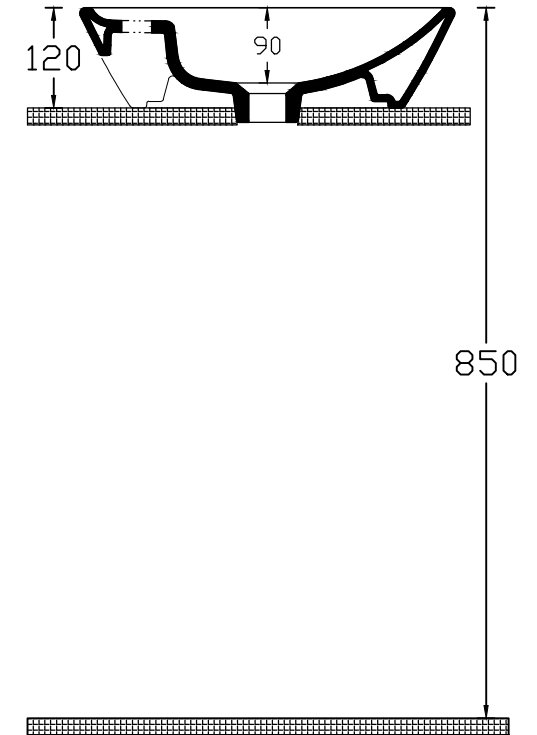
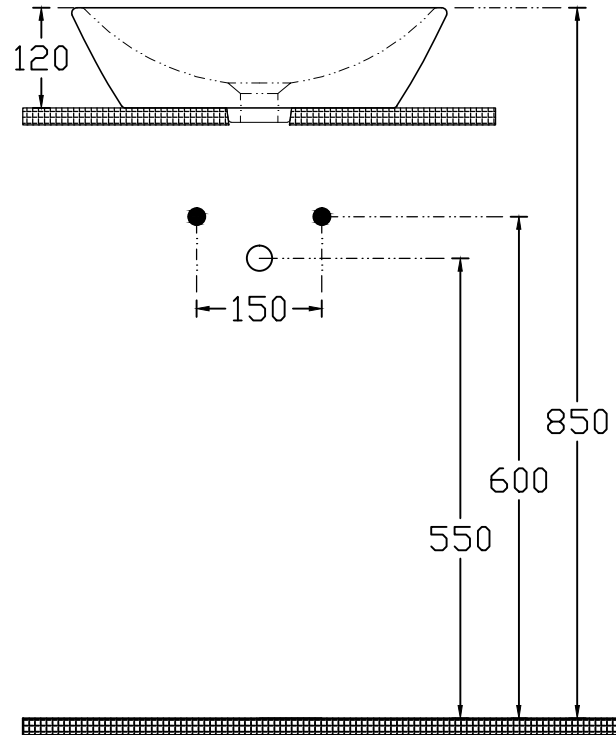
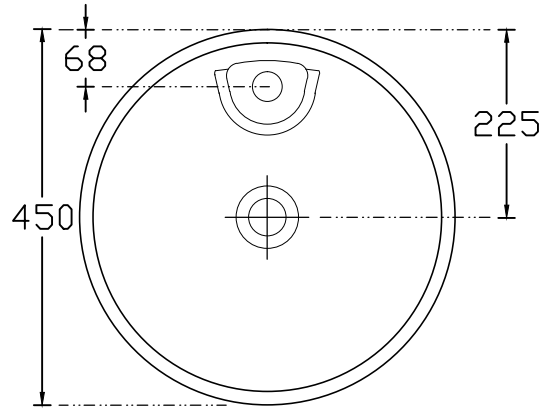




ISVEA

1962 ITALIA

TECHNICAL DRAWING / TEKNİK ÇİZİM



CODE / KOD : 10SY65045SV

DESCRIPTION / AÇIKLAMA : SISTEMA Y VESSEL BASIN Ø 45 cm / SISTEMA Y ÇANAK LAVABO Ø 45 cm

TOLERANCE / TOLERANS : 100 mm ± 1 %